

CINCINNATI RADIATOR INC.

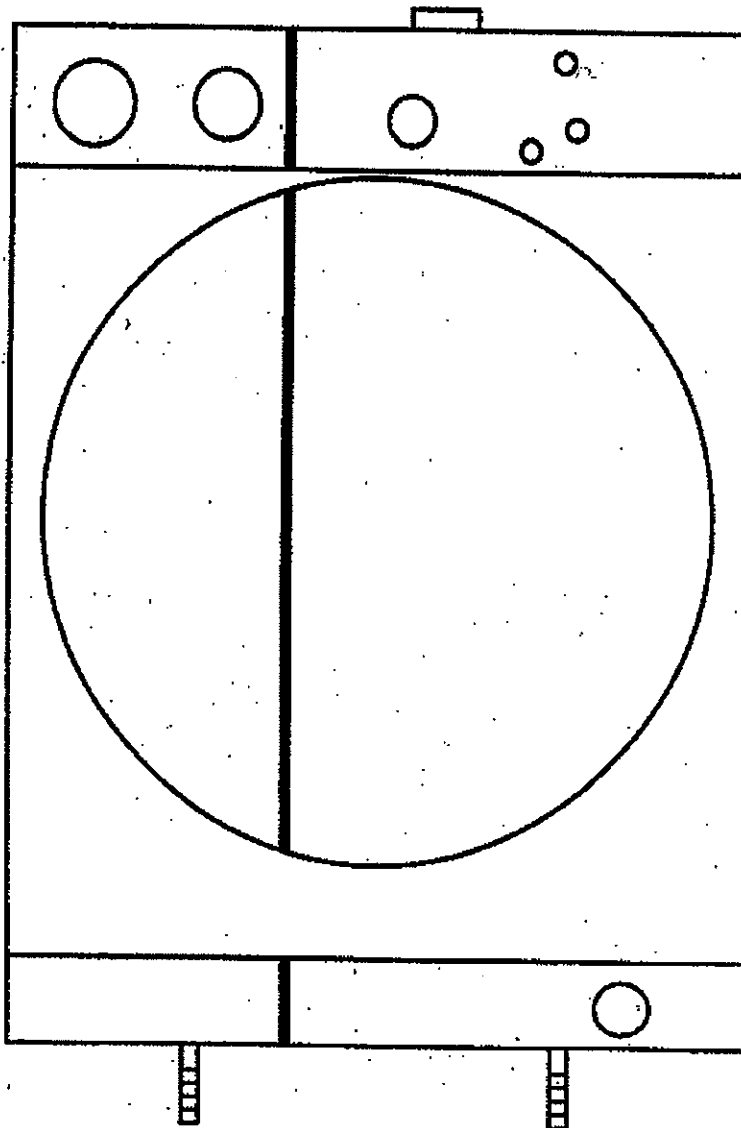
Complete Cooling System Sales & Service

3400 Port Union Road Fairfield, Ohio 45014

Phone: 513-874-5555 Fax: 513-874-4587

"www.cincyradiator.com"

TIER 3 RADIATOR & CHARGE AIR COOLING PACKAGE



DESIGNED FOR CUMMINS QSB4.5 170 BHP ENGINES
OVERALL MEASUREMENTS: 36.75"H X 27.5"W X 7"TH
RADIATOR & CHARGE AIR COOLER CORES ARE ALUMINUM.
MEETS THE CUMMINS BASE ENGINE & PERFORMANCE DATA SPECIFICATIONS.
MANUFACTURED IN AMERICA

CINCINNATI RADIATOR INC.

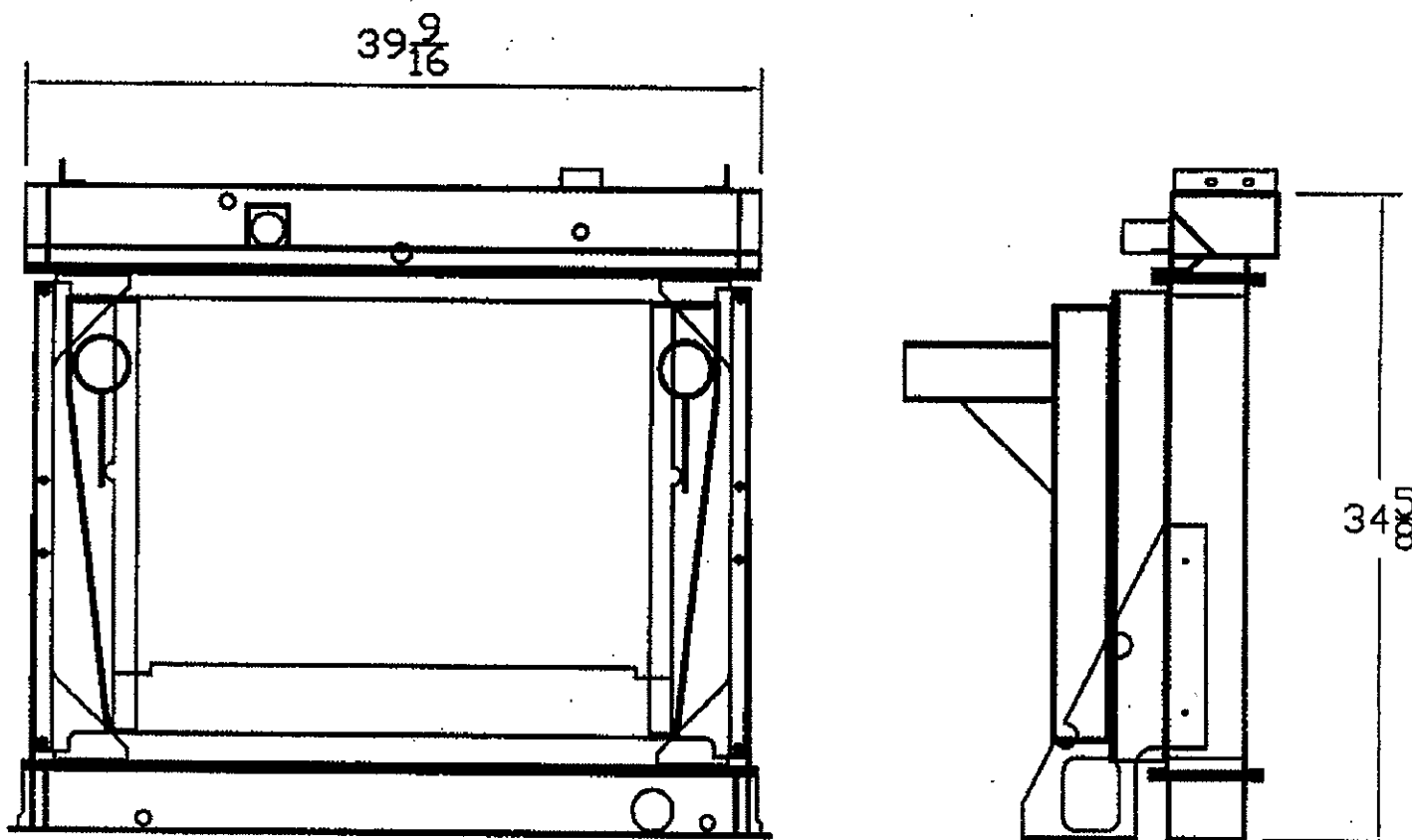
Complete Cooling System Sales & Service

3400 Port Union Road Fairfield, Ohio 45014

Phone: 513-874-5555 Fax: 513-874-4587

"www.cincyradiator.com"

TIER 3 RADIATOR & CHARGE AIR COOLING PACKAGE



DESIGNED FOR CUMMINS QSB6.7 240 BHP ENGINES

PUSHER FAN @ 2,000 RPM

RADIATOR & CHARGE AIR COOLER CORES ARE ALUMINUM.

MEETS THE CUMMINS BASE ENGINE & PERFORMANCE SPECIFICATIONS.

TESTED @ AMBIENT 125 DEGREES (F)

MANUFACTURED IN AMERICA